



THIS PRODUCT MANUFACTURED WITH LEAD-FREE PROCESSING

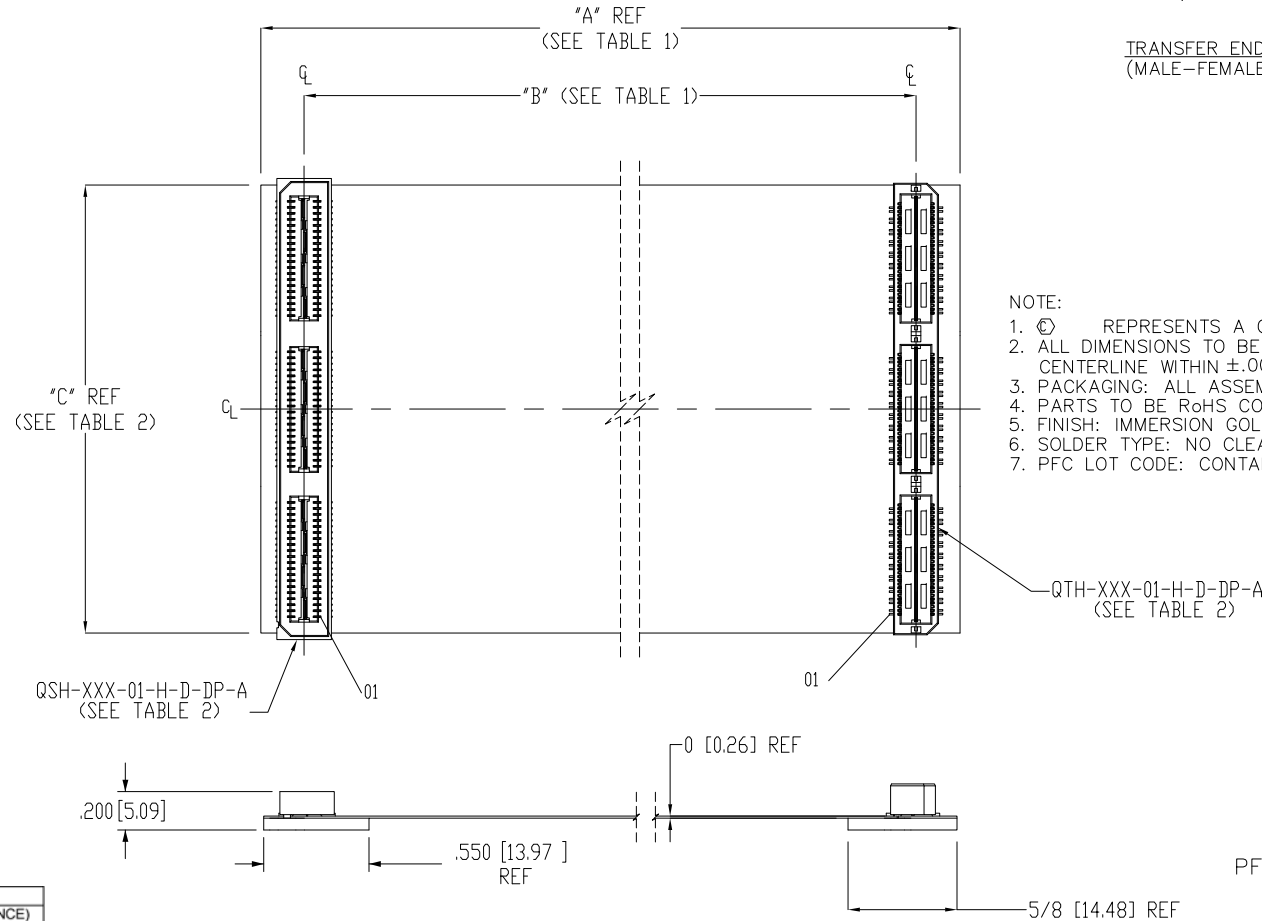
PFC-HFHM2-XXX-T-XX.XX-DP-XXX

No OF POSITIONS
-020, -040, -060 (PER ROW)

TRANSFER END
(MALE-FEMALE)

OPTION
-MH: MOUNTING HOLES (SEE FIG 2, SHEET 2)
-RT1: RETENTION FEATURE (SEE FIG 3, SHEET 3) (LEAVE BLANK FOR STANDARD)
-DP: DIFFERENTIAL PAIRS

LENGTH
-03.00: 3.00[76.2] INCHES
-05.00: 5.00[127.0] INCHES
-10.00: 10.00[254.0] INCHES



- NOTE:
1. Ⓢ REPRESENTS A CRITICAL DIMENSION.
 2. ALL DIMENSIONS TO BE SYMMETRICAL ABOUT CENTERLINE WITHIN ±.002 [.05] UNLESS OTHERWISE STATED
 3. PACKAGING: ALL ASSEMBLIES TO BE PACKAGED TO PFC-WI-164
 4. PARTS TO BE RoHS COMPLIANT
 5. FINISH: IMMERSION GOLD (ENIG) PER IPC4552
 6. SOLDER TYPE: NO CLEAN LEAD-FREE
 7. PFC LOT CODE: CONTAIN PFC LOGO WITH UL MARKING AND WW-YY LOT#

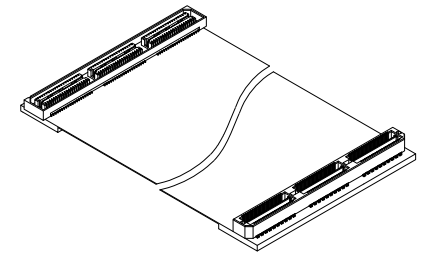


FIG 1
PFC-HFHM2-060-T-10.00-DP SHOWN

No. OF POS	"C"	"D"	"E"	"F"	"G"	QSH-XXX-01-H-D-DP-XXX	QTH-XXX-01-H-D-DP-XXX
-020	.768 +/- .010 [19.50 +/- 0.25]	1.0875[27.623]	1.3375[33.973]	1.1285[28.663]	1.1285[28.663]	QSH-020-01-H-D-DP-A OR QSH-020-01-H-D-DP-A-RT1 (FOR -RT1 OPTION)	QTH-020-01-H-D-DP-A OR QTH-020-01-H-D-DP-A-RT1 (FOR -RT1 OPTION)
-040	1.556 +/- .010 [39.52 +/- 0.25]	1.8755[47.638]	2.1255[53.988]	1.916[40.872]	1.916[40.872]	QSH-040-01-H-D-DP-A OR QSH-040-01-H-D-DP-A-RT1 (FOR -RT1 OPTION)	QTH-040-01-H-D-DP-A OR QTH-040-01-H-D-DP-A-RT1 (FOR -RT1 OPTION)
-060	2.344 +/- .010 [59.54 +/- 0.25]	2.6635[67.653]	2.9135[74.003]	2.7035[74.003]	2.7035[74.003]	QSH-060-01-H-D-DP-A OR QSH-060-01-H-D-DP-A-RT1 (FOR -RT1 OPTION)	QTH-060-01-H-D-DP-A OR QTH-060-01-H-D-DP-A-RT1 (FOR -RT1 OPTION)

LENGTH	"A"	"B"
-3.00	3.00[76.2]	2.54[64.5]
-5.00	5.00[127.0]	4.54[115.3]
-10.00	10.00[254.0]	9.54[242.3]

PFC-HFHM2-020-T-03.00-DP
PFC-HFHM2-020-T-03.00-DP-MH
PFC-HFHM2-020-T-03.00-DP-RT1
PFC-HFHM2-040-T-03.00-DP
PFC-HFHM2-040-T-03.00-DP-MH
PFC-HFHM2-040-T-03.00-DP-RT1
PFC-HFHM2-060-T-03.00-DP
PFC-HFHM2-060-T-03.00-DP-MH
PFC-HFHM2-060-T-03.00-DP-RT1
PFC-HFHM2-020-T-05.00-DP
PFC-HFHM2-020-T-05.00-DP-MH
PFC-HFHM2-020-T-05.00-DP-RT1
PFC-HFHM2-040-T-05.00-DP
PFC-HFHM2-040-T-05.00-DP-MH
PFC-HFHM2-040-T-05.00-DP-RT1
PFC-HFHM2-060-T-05.00-DP
PFC-HFHM2-060-T-05.00-DP-MH
PFC-HFHM2-060-T-05.00-DP-RT1
PFC-HFHM2-020-T-10.00-DP
PFC-HFHM2-020-T-10.00-DP-MH
PFC-HFHM2-020-T-10.00-DP-RT1
PFC-HFHM2-040-T-10.00-DP
PFC-HFHM2-040-T-10.00-DP-MH
PFC-HFHM2-040-T-10.00-DP-RT1
PFC-HFHM2-060-T-10.00-DP
PFC-HFHM2-060-T-10.00-DP-MH
PFC-HFHM2-060-T-10.00-DP-RT1

TOLERANCES DO NOT APPLY TO REFERENCE DIMENSIONS.

UNLESS OTHERWISE SPECIFIED, DIMENSIONS ARE IN INCHES. TOLERANCES ARE:

PROPRIETARY NOTE

THIS DOCUMENT CONTAINS INFORMATION CONFIDENTIAL AND PROPRIETARY TO PFC AND SHALL NOT BE REPRODUCED OR TRANSFERRED TO OTHER DOCUMENTS OR DISCLOSED TO OTHERS OR USED FOR ANY PURPOSE OTHER THAN THAT WHICH IT WAS OBTAINED WITHOUT THE EXPRESSED WRITTEN CONSENT OF PFC FLEXIBLE CIRCUITS

PFC FLEXIBLE CIRCUITS

11 CANADIAN ROAD UNIT 7 SCARBOROUGH ONTARIO
PHONE: 416-750-8433 FAX: 416-750-0016
e-Mail: sales@pfcflex.com

DO NOT SCALE DRAWING

CONNECTOR MATERIALS:
INSULATORS: LCP
CONTACTS, TERMINALS, & GROUND PLANES:
PHOS BRONZE
FLEX MATERIALS:
SEE CROSS SECTION DETAIL

SHEET SCALE: 1:1

DESCRIPTION:
HIGH SPEED FLEX 0.5mm ASSEMBLY

DWG. NO.
PFC-HFHM2-XXX-T-XX.XX-DP-XXX

BY: PFC 11/06/2012 SHEET 1 OF 3

HFHM2-DP			
-20 Shown. -40 and -60 repeat same pattern.			
J1 Pin	Signal	J2 Pin	DP Pair
1	S	1	Pair
3	S	3	
5	G	5	Pin Omitted
2	S	2	Pair
4	S	4	
6	G	6	Pin Omitted
7	S	7	Pair
9	S	9	
11	G	11	Pin Omitted
8	S	8	Pair
10	S	10	
12	G	12	Pin Omitted
13	S	13	Pair
15	S	15	
17	G	17	Pin Omitted
14	S	14	Pair
16	S	16	
18	G	18	Pin Omitted
19	S	19	Pair
21	S	21	
23	G	23	Pin Omitted
20	S	20	Pair
22	S	22	
24	G	24	Pin Omitted
25	S	25	Pair
27	S	27	
29	G	29	Pin Omitted
26	S	26	Pair
28	S	28	
30	G	30	Pin Omitted
31	S	31	Pair
33	S	33	
35	G	35	Pin Omitted
32	S	32	Pair
34	S	34	
36	G	36	Pin Omitted
37	S	37	Pair
39	S	39	
41	G	41	Pin Omitted
38	S	38	Pair
40	S	40	
42	G	42	Pin Omitted
43	S	43	Pair
45	S	45	
47	G	47	Pin Omitted
44	S	44	Pair
46	S	46	
48	G	48	Pin Omitted
49	S	49	Pair
51	S	51	
53	G	53	Pin Omitted
50	S	50	Pair
52	S	52	
54	G	54	Pin Omitted
55	S	55	Pair
57	S	57	
59	G	59	Pin Omitted

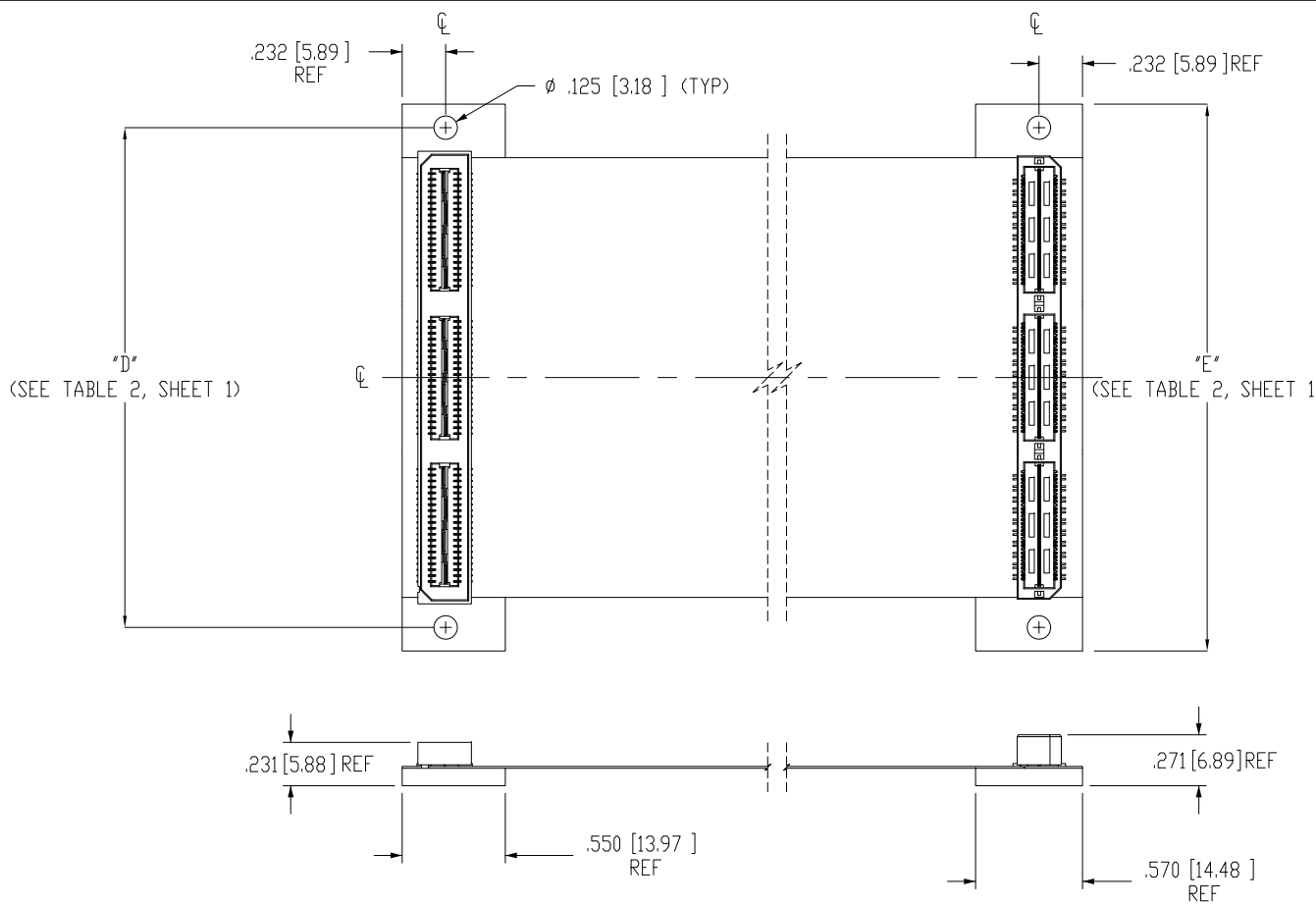


FIG 2
 -MH OPTION
 (SAME AS FIG 1, UNLESS OTHERWISE STATED)
 PFC-HFHM2-060-T-10.00-DP-MH SHOWN

(ALL STACKUP DIMS REF)

COVERFILM		.001[0.03] POLYIMIDE .001[0.03] ADHESIVE
COPPER CLAD		1/2 oz COPPER .001[0.03] POLYIMIDE 1/2 oz COPPER
COVERFILM		.001[0.03] ADHESIVE .001[0.01] POLYIMIDE
ADHESIVE		.002[0.05] ADHESIVE
STIFFENER		STANDARD: .059[1.50] FR4 -MH OPTION: .093[2.36] FR4 -RT1 OPTION: .093[2.36] FR4

CROSS SECTION OF FLEX & STIFFENER
 NOT TO SCALE

PROPRIETARY NOTE
 THIS DOCUMENT CONTAINS INFORMATION CONFIDENTIAL AND PROPRIETARY TO PFC AND SHALL NOT BE REPRODUCED OR TRANSFERRED TO OTHER DOCUMENTS OR DISCLOSED TO OTHERS OR USED FOR ANY PURPOSE OTHER THAN THAT WHICH IT WAS OBTAINED WITHOUT THE EXPRESSED WRITTEN CONSENT OF PFC FLEXIBLE CIRCUITS

DO NOT SCALE DRAWING
 SHEET SCALE: 1:1

PFC FLEXIBLE CIRCUITS

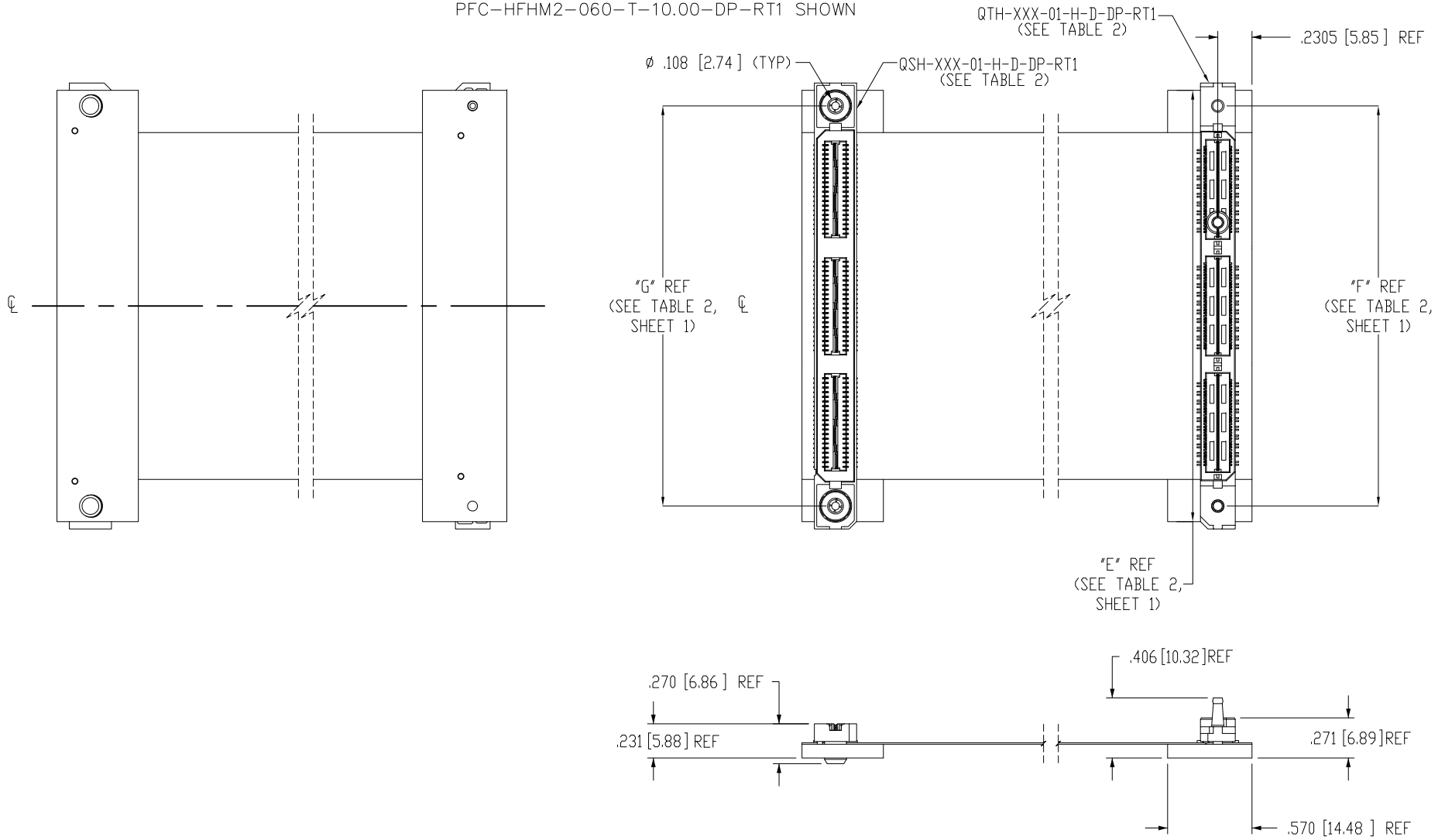
11 CANADIAN ROAD UNIT 7 SCARBOROUGH ONTARIO
 PHONE: 416-750-8433 FAX: 416-750-0016
 e-Mail: sales@pfcflex.com

DESCRIPTION:
 HIGH SPEED FLEX 0.5mm ASSEMBLY

DWG. NO.
 PFC-HFHM2-XXX-T-XX.XX-DP-XXX

BY: PFC 11/06/2012 SHEET 2 OF 3

FIG 3
 -RT1 OPTION
 (SAME AS FIG 1, UNLESS OTHERWISE STATED)
 PFC-HFHM2-060-T-10.00-DP-RT1 SHOWN



PROPRIETARY NOTE

THIS DOCUMENT CONTAINS INFORMATION CONFIDENTIAL AND PROPRIETARY TO PFC AND SHALL NOT BE REPRODUCED OR TRANSFERRED TO OTHER DOCUMENTS OR DISCLOSED TO OTHERS OR USED FOR ANY PURPOSE OTHER THAN THAT WHICH IT WAS OBTAINED WITHOUT THE EXPRESSED WRITTEN CONSENT OF PFC FLEXIBLE CIRCUITS

DO NOT SCALE DRAWING

SHEET SCALE: 1:1

PFC FLEXIBLE CIRCUITS

11 CANADIAN ROAD UNIT 7 SCARBOROUGH ONTARIO
 PHONE: 416-750-8433 FAX: 416-750-0016
 e-Mail: sales@pfcflex.com

DESCRIPTION:
 HIGH SPEED FLEX 0.5mm ASSEMBLY

DWG. NO.
 PFC-HFHM2-XXX-T-XX.XX-DP-XXX

BY: PFC 11/06/2012 SHEET 3 OF 3